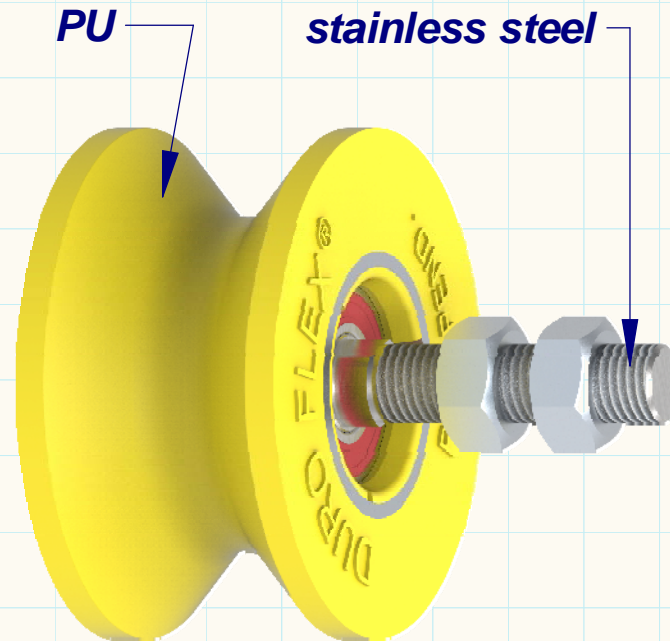
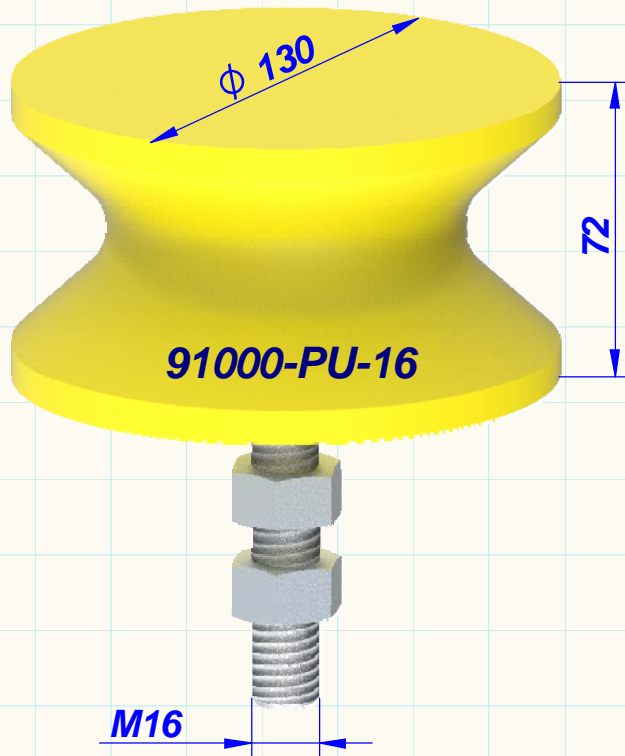


PULLEY



mounting bracket
91010-M16

